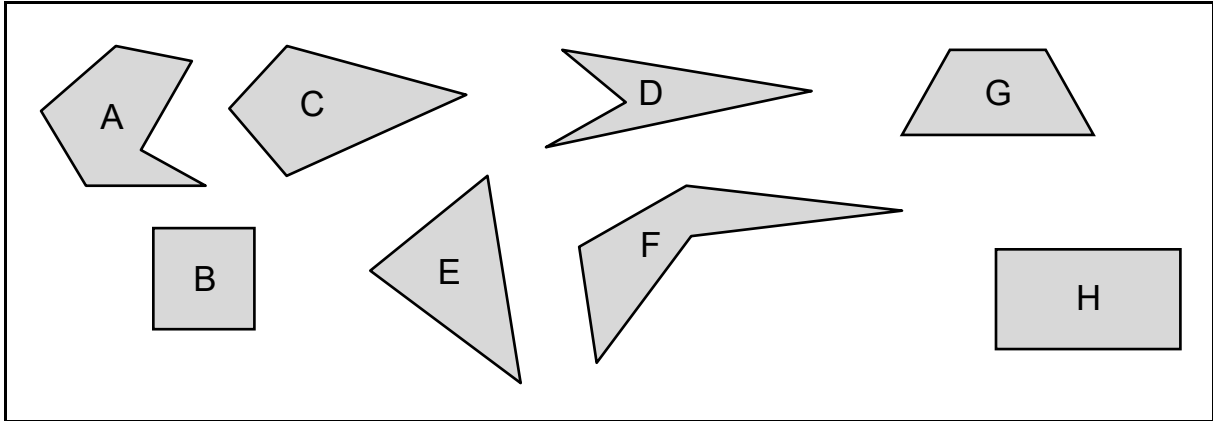


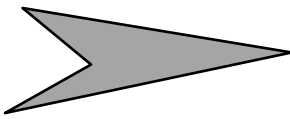

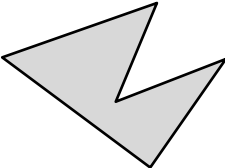
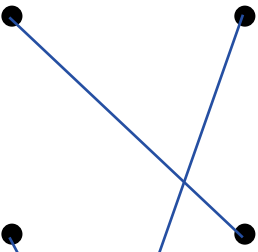
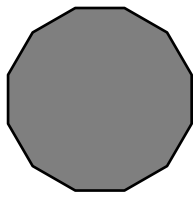
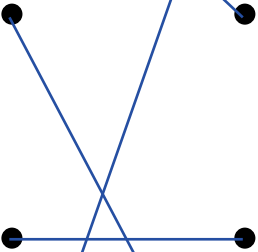


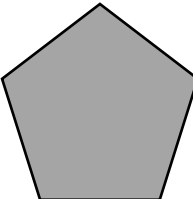

Handout**2 - 2**
Section 10

Reinforcement

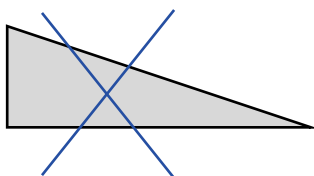
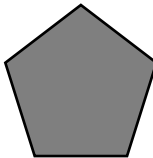
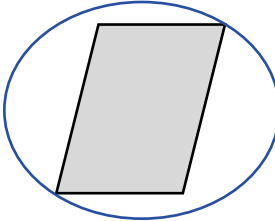
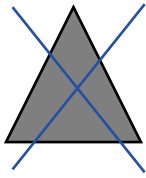
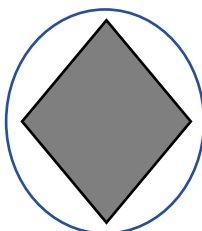
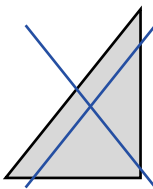
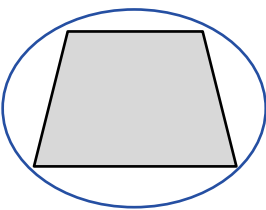
Polygons and Quadrilaterals**ANSWER
KEY****1. Fill in the table.**

| Figure | Number of Sides | Number of Right Angles | Number of Pairs of Parallel Sides | Number of Pairs of Sides of the Same Length |
|--------|-----------------|------------------------|-----------------------------------|---|
| A | 6 | 0 | 0 | 0 |
| B | 4 | 4 | 2 | 2 |
| C | 4 | 0 | 0 | 2 |
| D | 4 | 0 | 0 | 0 |
| E | 3 | 0 | 0 | 0 |
| F | 5 | 0 | 0 | 0 |
| G | 4 | 0 | 1 | 1 |
| H | 4 | 4 | 2 | 2 |

2. Match each figure to the corresponding description.

| | | | |
|----|---|---|--|
| a) |  |  | This figure is a nonconvex quadrilateral. |
| b) |  |  | This figure has 5 sides of the same length. |
| c) |  |  | This figure is a nonconvex polygon. It is not a quadrilateral. |
| d) |  |  | This figure has 2 pairs of parallel sides and 2 pairs of sides of the same length. |
| e) |  |  | This figure has 6 pairs of sides of the same length and 12 obtuse angles. |

3. Circle the quadrilaterals. **Draw an X** on the triangles.

| | | | |
|---|---|---|---|
|  |  |  |  |
|  |  |  | |